

Size 1/4" thru 2"

- All stainless steel valve construction
- 800 WOG rating
- Threaded ends
- Standard port
- Closing temperatures 165°F, 212°F, and 286°F

Available Flow Patterns

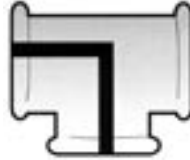
L-port 90°



Position 1



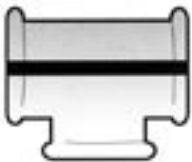
Position 2



flow plan A

T-port 90°

Position 1

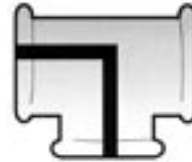


Position 2

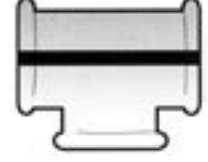


flow plan B

Position 1



Position 2



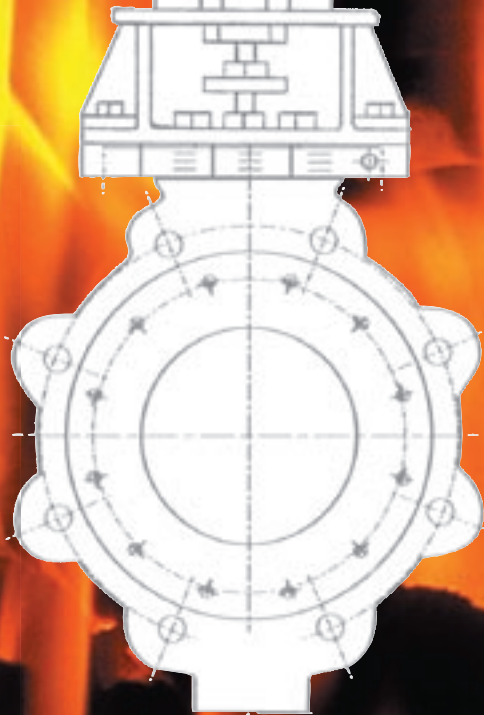
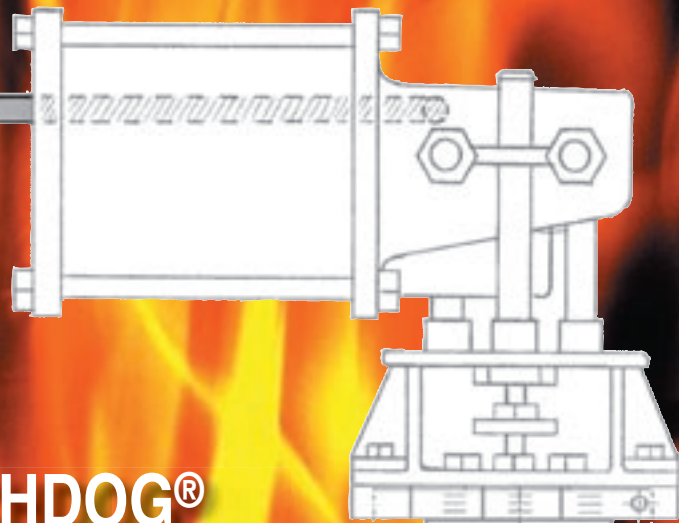
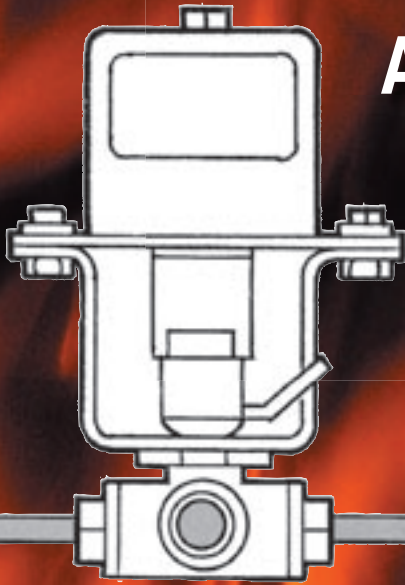
flow plan C

Choose from one of the above flow plans or call for alternate patterns to meet your specific applications. ESSEX also supplies Fusible Link Actuated fire safe ball and high performance butterfly valves.

BLOCK NUMBER	1	2	3	4
	THERMAL ACTUATOR SERIES	VALVE SIZE	PORT TYPE	FLOW PATTERN
	TA0001X3W	3	L	A
BLOCK 1	THERMAL ACTUATOR SERIES	BLOCK 3		PORT DESIGN
VALVE SIZE		T-PORT 90°		T
1/4" - 1"	TA0001X3W	L-PORT 90°		L
1-1/4" - 2"	TA0002X3W	BLOCK 4		
BLOCK 2	VALVE SIZE	FLOW PLAN		
1/4"	1	FLOW PLAN A		
3/8"	2	FLOW PLAN B		
1/2"	3	FLOW PLAN C		
3/4"	4			
1"	5			
1-1/4"	6			
1-1/2"	7			
2"	8			

Now Available

A Valve Actuator that can react to heat, smoke, or gas leak, and shut off and/or vent 3-WAY multi-port ball valves.



The ESSEX WATCHDOG® fusible link actuator is now available for use on 3-way multi-port ball valves. In case of fire, the unit is designed to shut off and vent the air supply to a pneumatic spring return actuator allowing it to close the larger fire-safe valve.

3-WAY VALVE